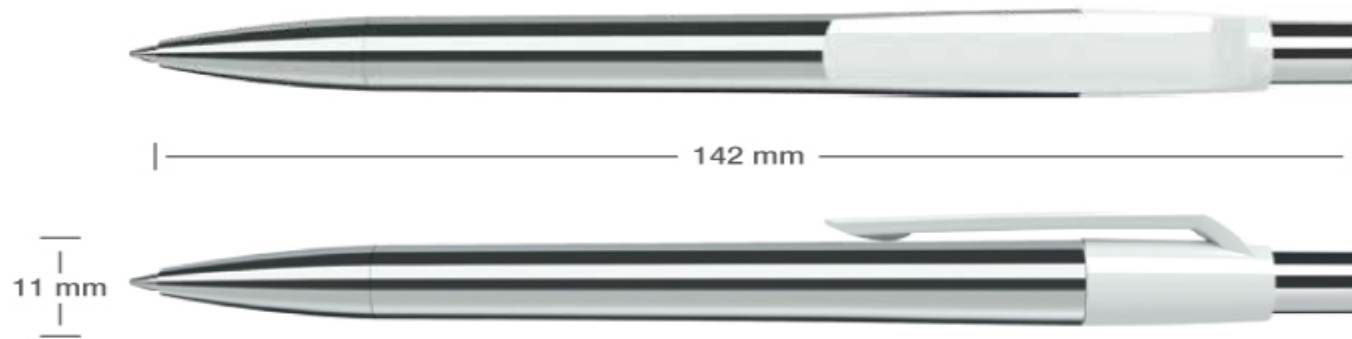


MAX-MD1-MM1
Dimensions



Printing Position

